

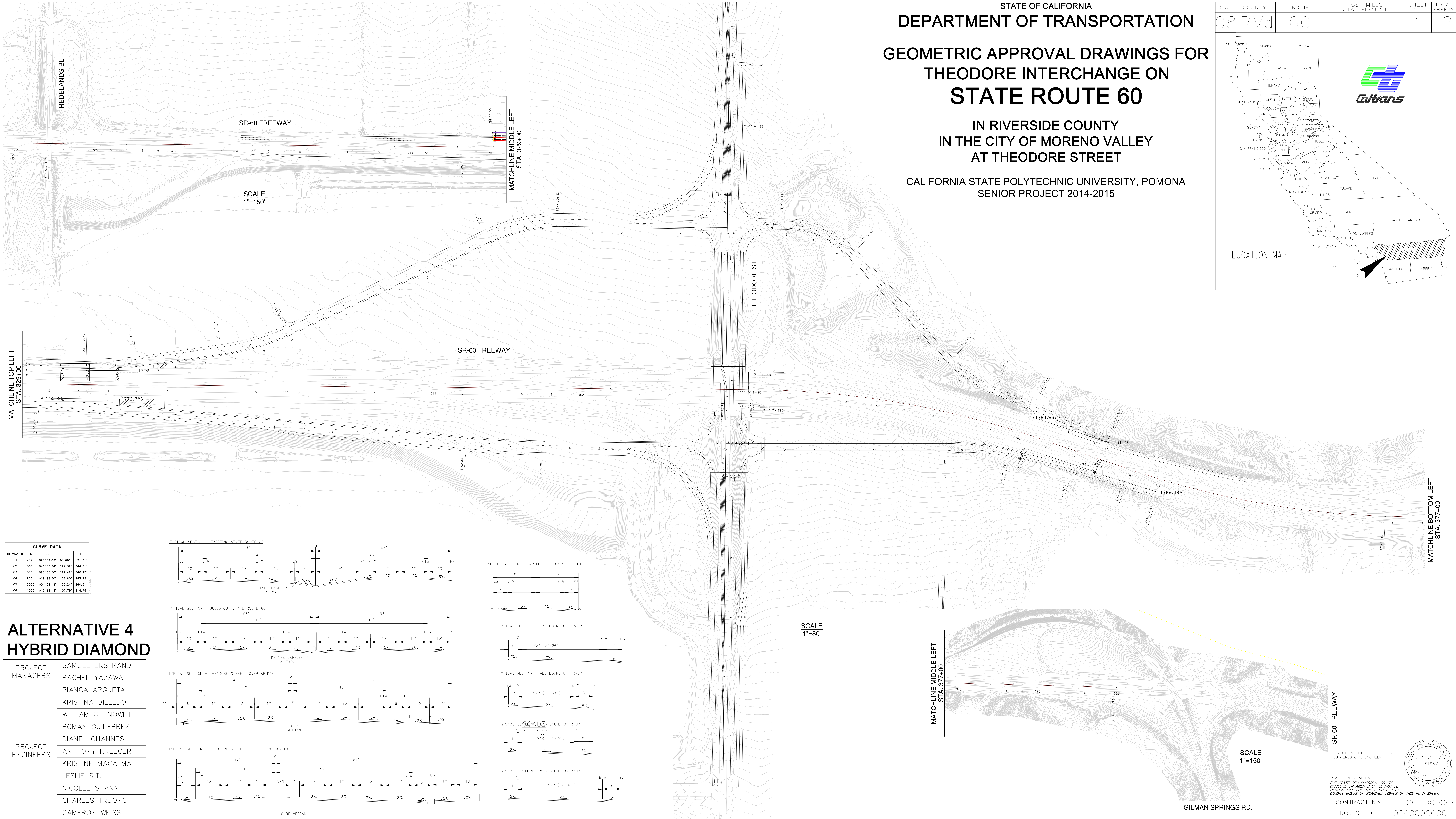
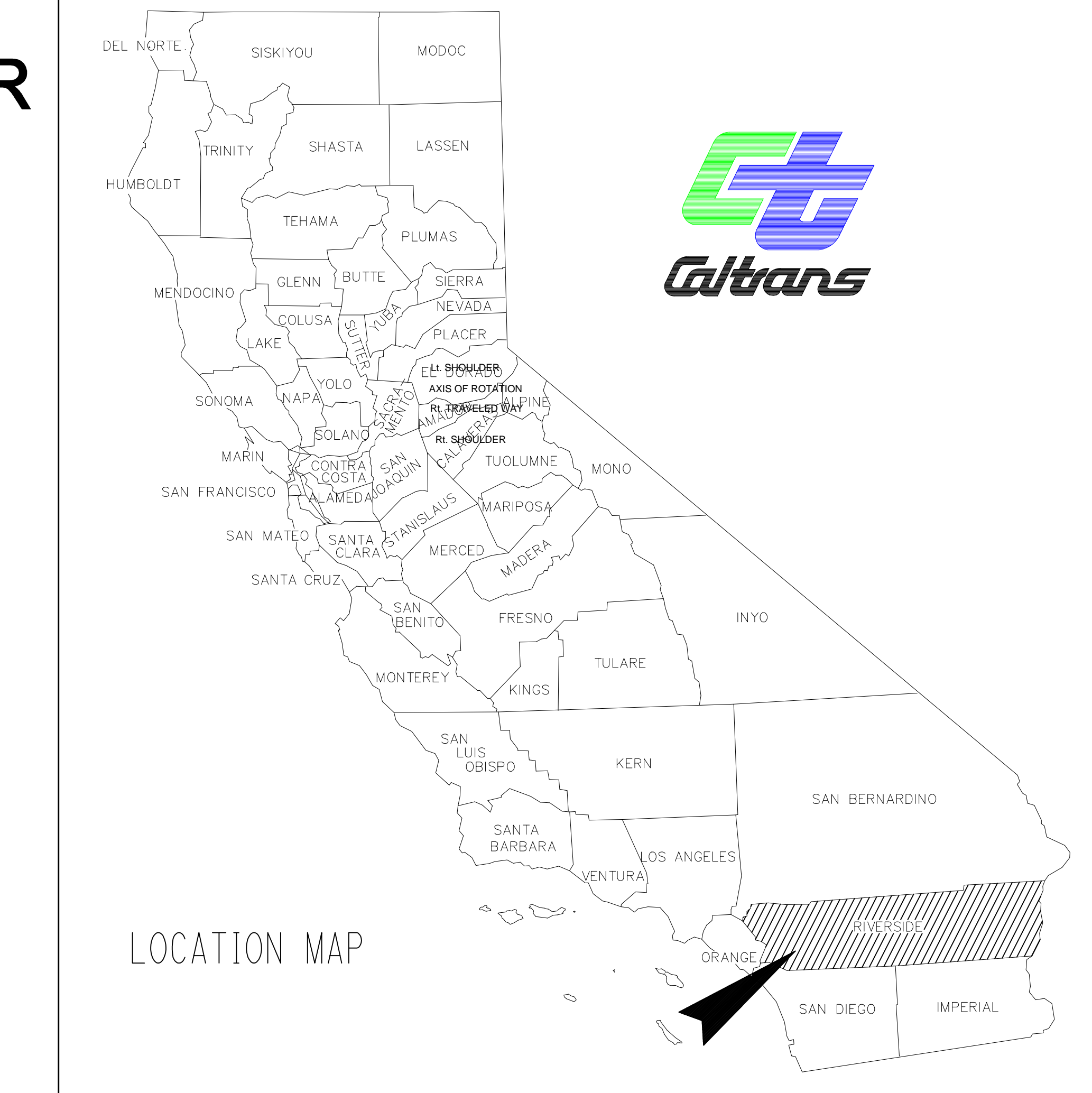
STATE OF CALIFORNIA
DEPARTMENT OF TRANSPORTATION

GEOMETRIC APPROVAL DRAWINGS FOR
THEODORE INTERCHANGE ON
STATE ROUTE 60

IN RIVERSIDE COUNTY
IN THE CITY OF MORENO VALLEY
AT THEODORE STREET

CALIFORNIA STATE POLYTECHNIC UNIVERSITY, POMONA
SENIOR PROJECT 2014-2015

Dist	COUNTY	ROUTE	POST MILES TOTAL PROJECT	SHEET No.	TOTAL SHEETS
08	Rvd	60		1	2

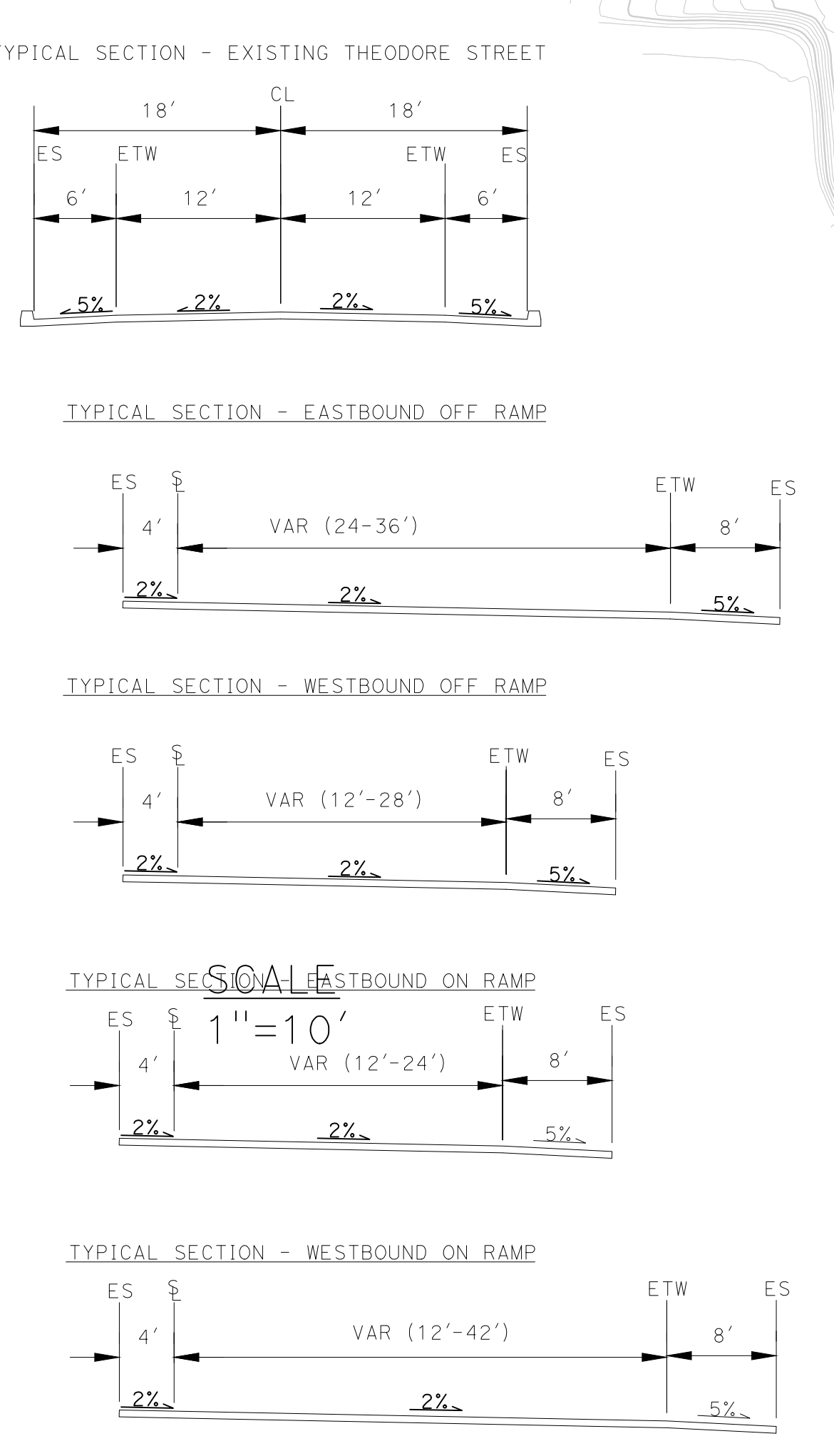
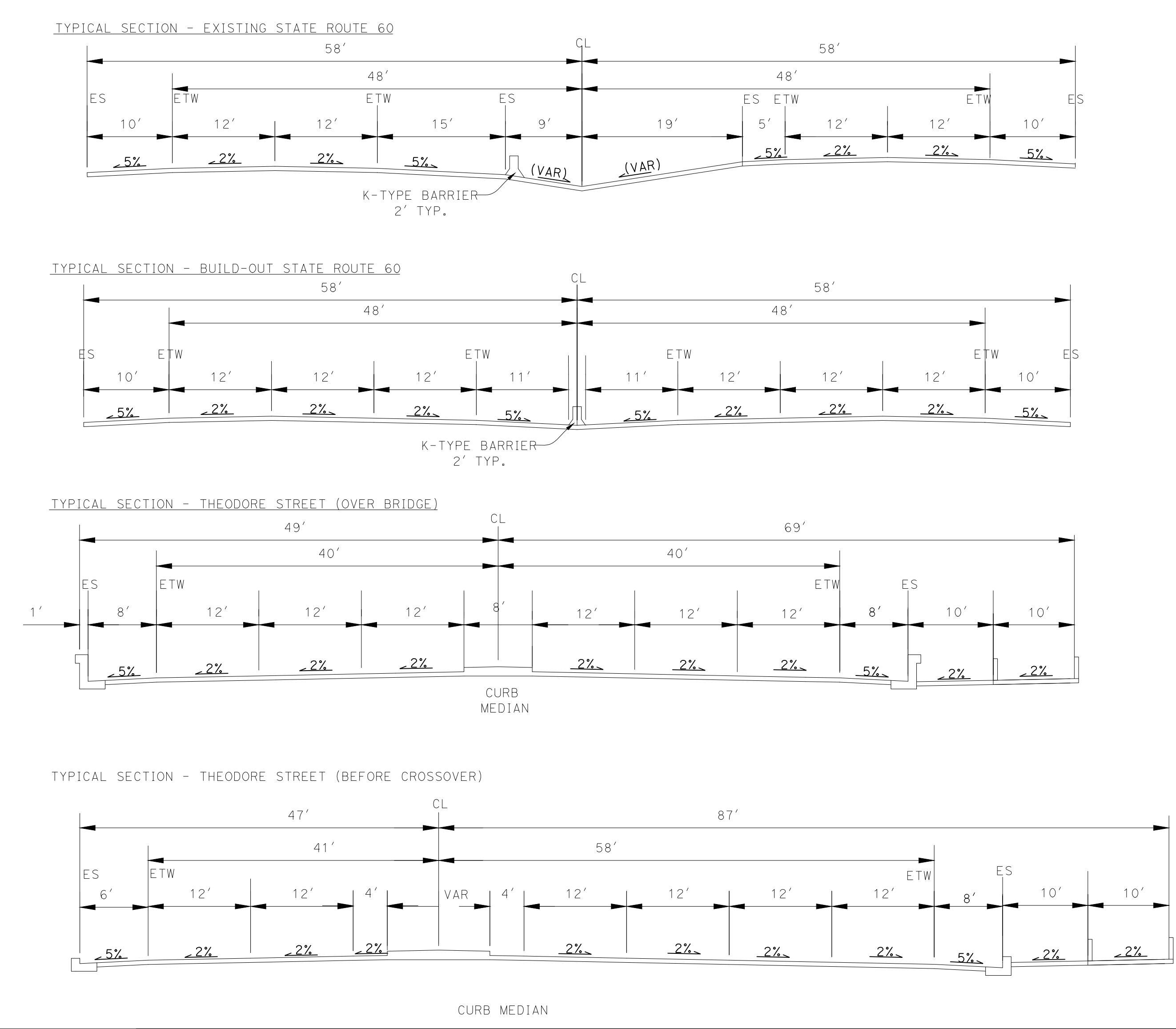


CURVE DATA

Curve #	R	A	T	L
C1	437'	025°04'08"	97.06'	191.01'
C2	300'	046°38'24"	129.32'	244.21'
C3	550'	025°09'50"	122.42'	240.92'
C4	850'	016°28'30"	122.80'	243.92'
C5	3000'	004°58'18"	130.24'	260.37'
C6	1000'	012°18'14"	107.79'	214.15'

**ALTERNATIVE 4
HYBRID DIAMOND**

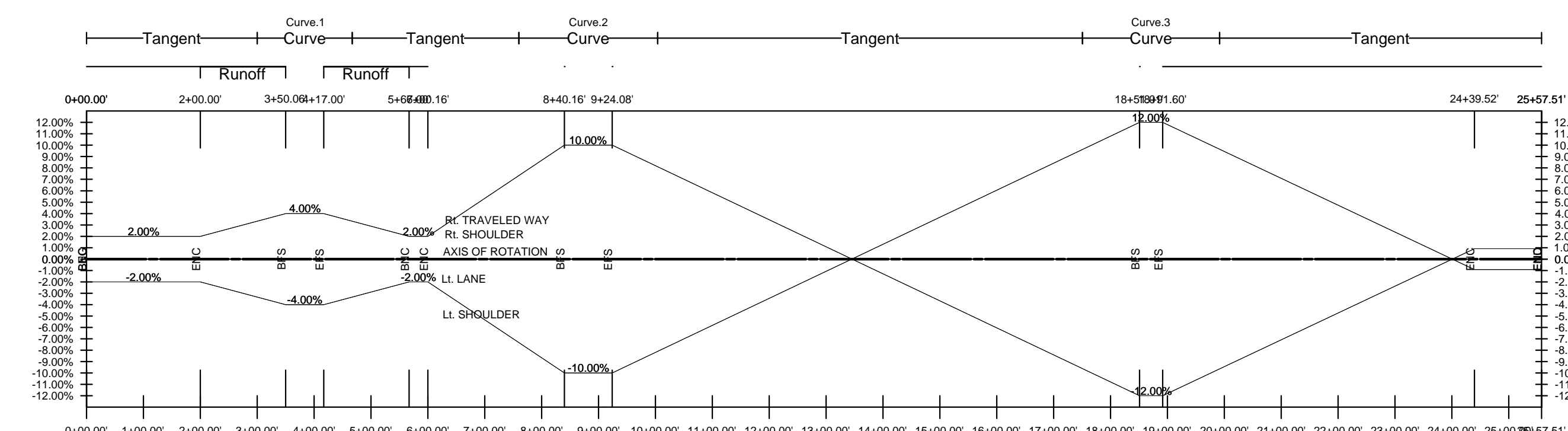
PROJECT MANAGERS	SAMUEL EKSTRAND
	RACHEL YAZAWA
	BIANCA ARGUETA
	KRISTINA BILLEDO
PROJECT ENGINEERS	WILLIAM CHENOWETH
	ROMAN GUTIERREZ
	DIANE JOHANNES
	ANTHONY KREEGER
	KRISTINE MACALMA
	LESLIE SITU
	NICOLLE SPANN
	CHARLES TRUONG
CAMERON WEISS	



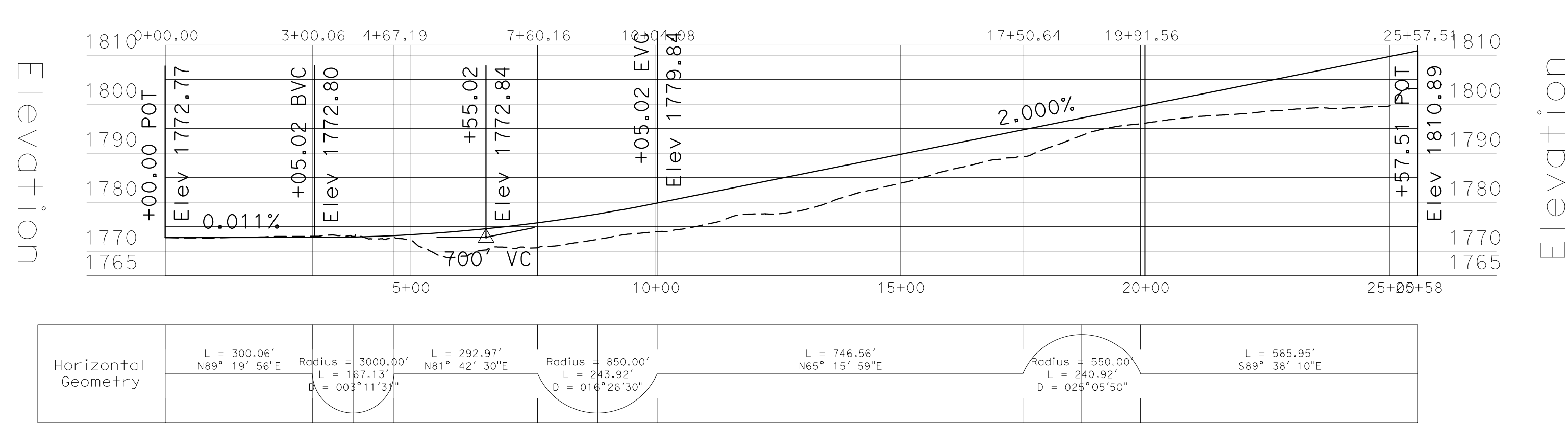
SCALE
1"=80'

SCALE
1"=150'

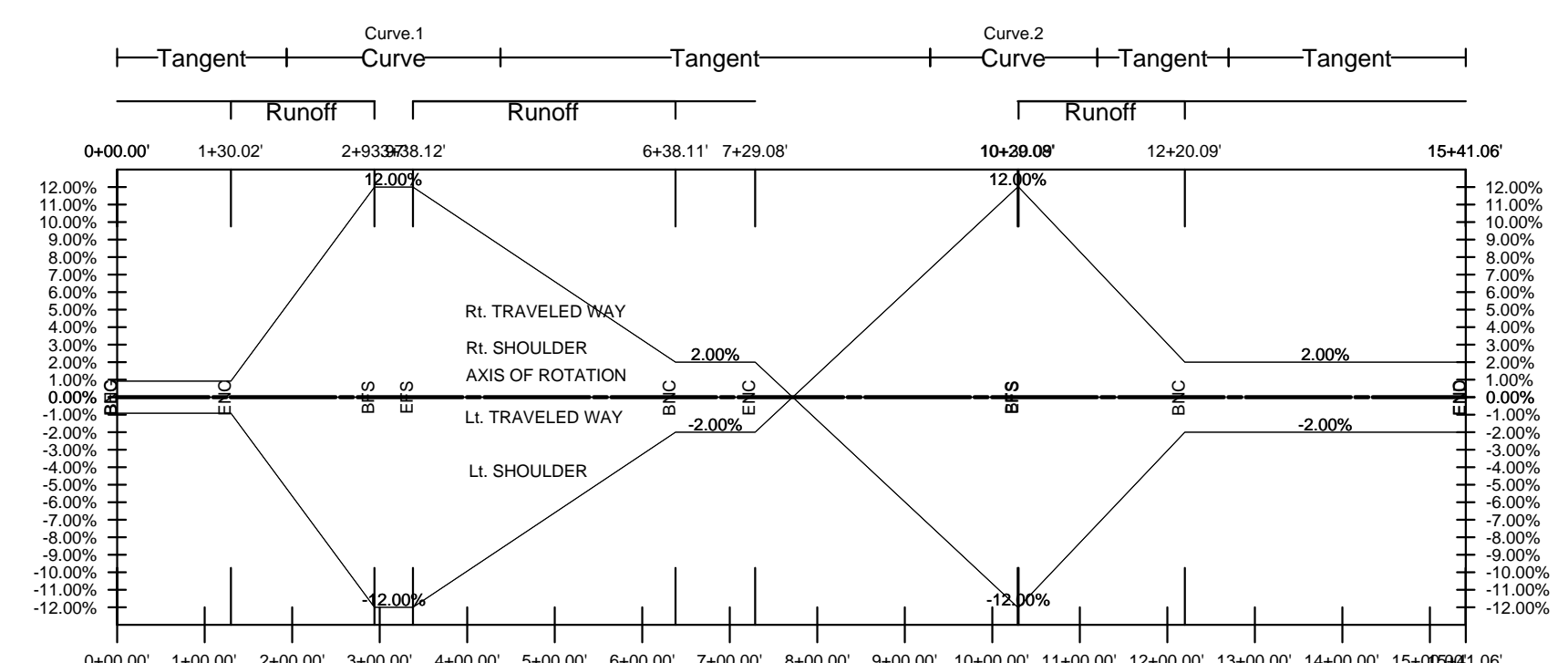
SUPERELEVATION - WESTBOUND ON-RAMP



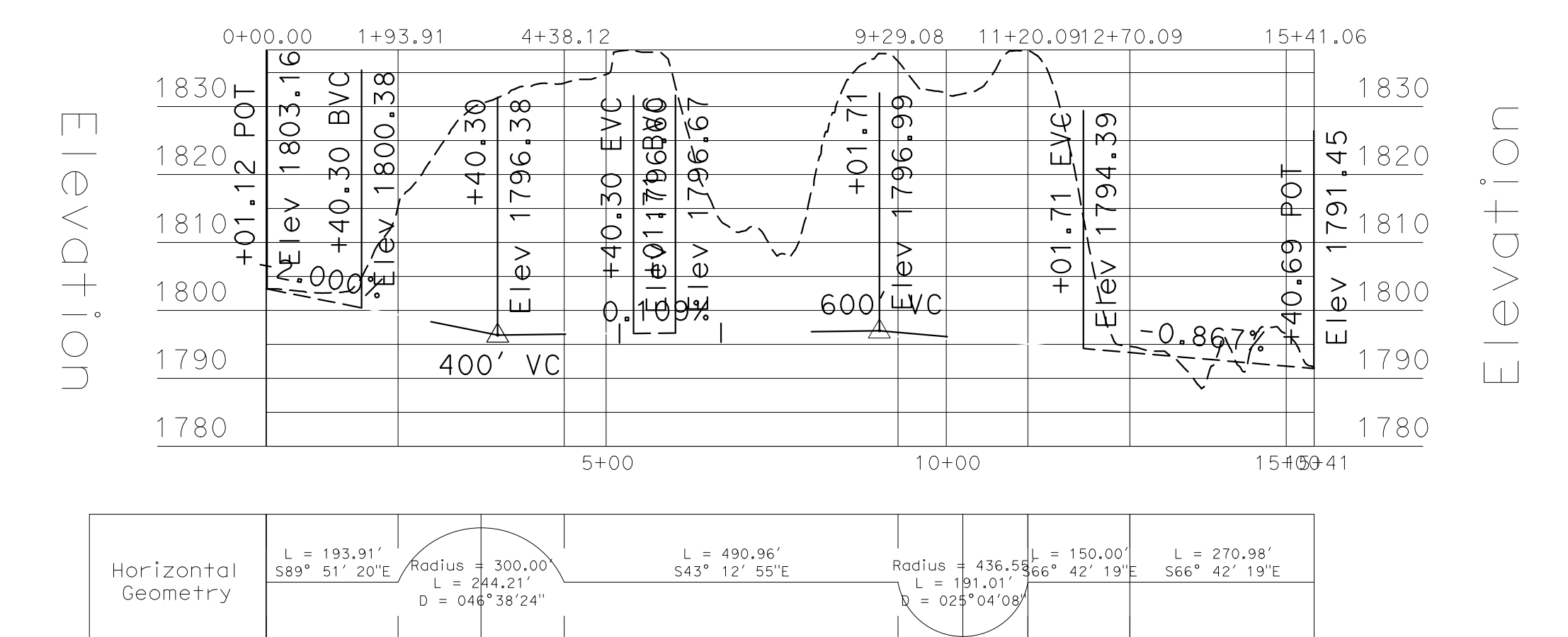
PROFILE - WESTBOUND ON-RAMP



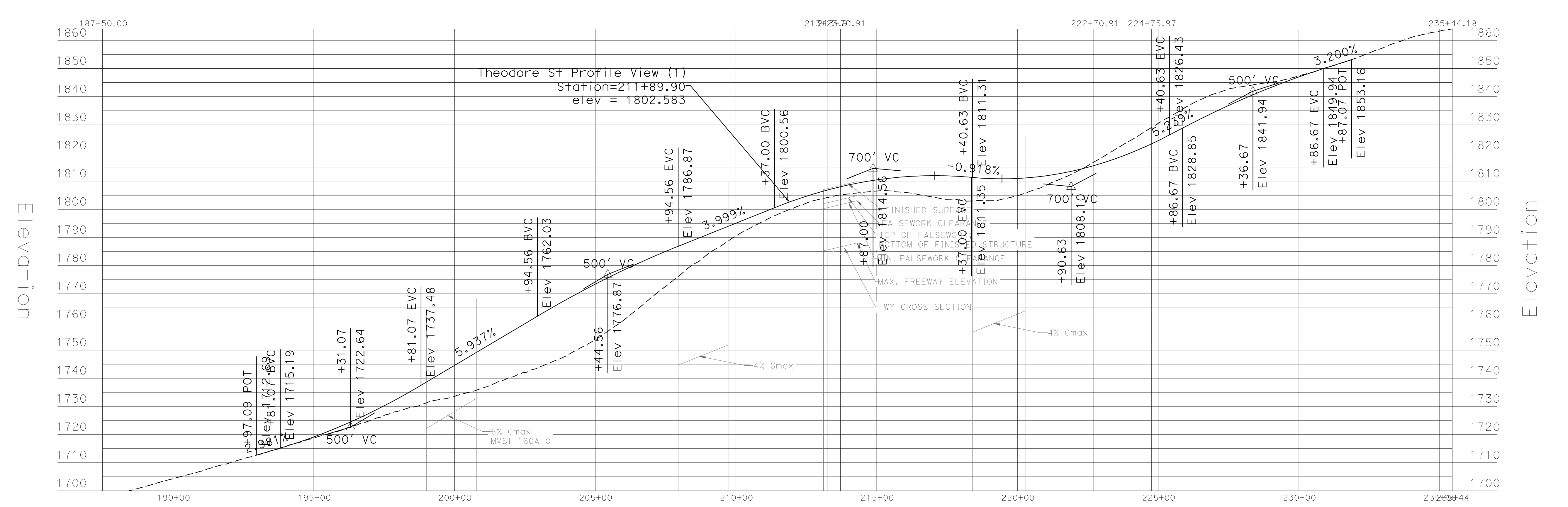
SUPERELEVATION - WESTBOUND OFF-RAMP



PROFILE - WESTBOUND OFF-RAMP

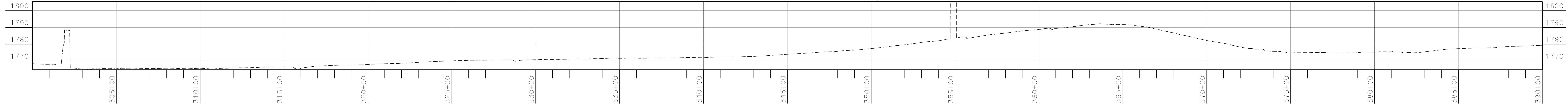


PROFILE - THEODORE STREET



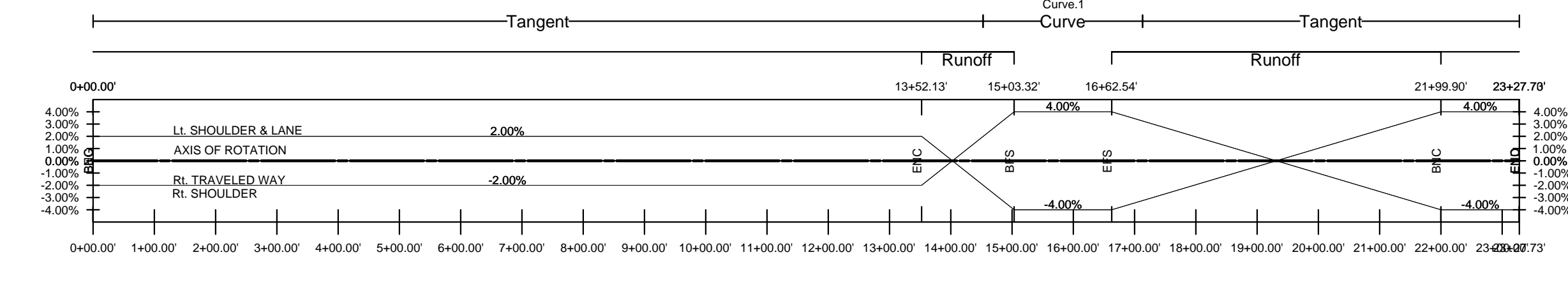
SCALE
Horz. 1"=200'
Vert. 1"=20'

PROFILE - STATE ROUTE 60 (AS-BUILT)

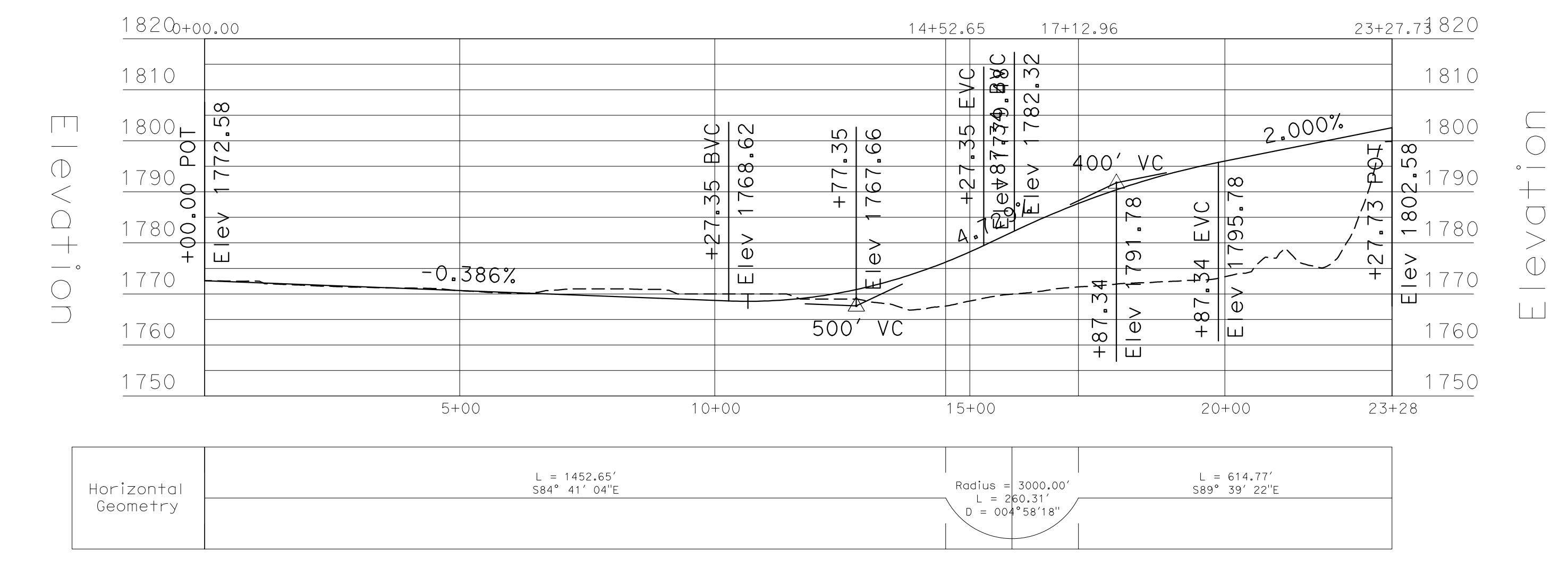


SCALE
1"=300'

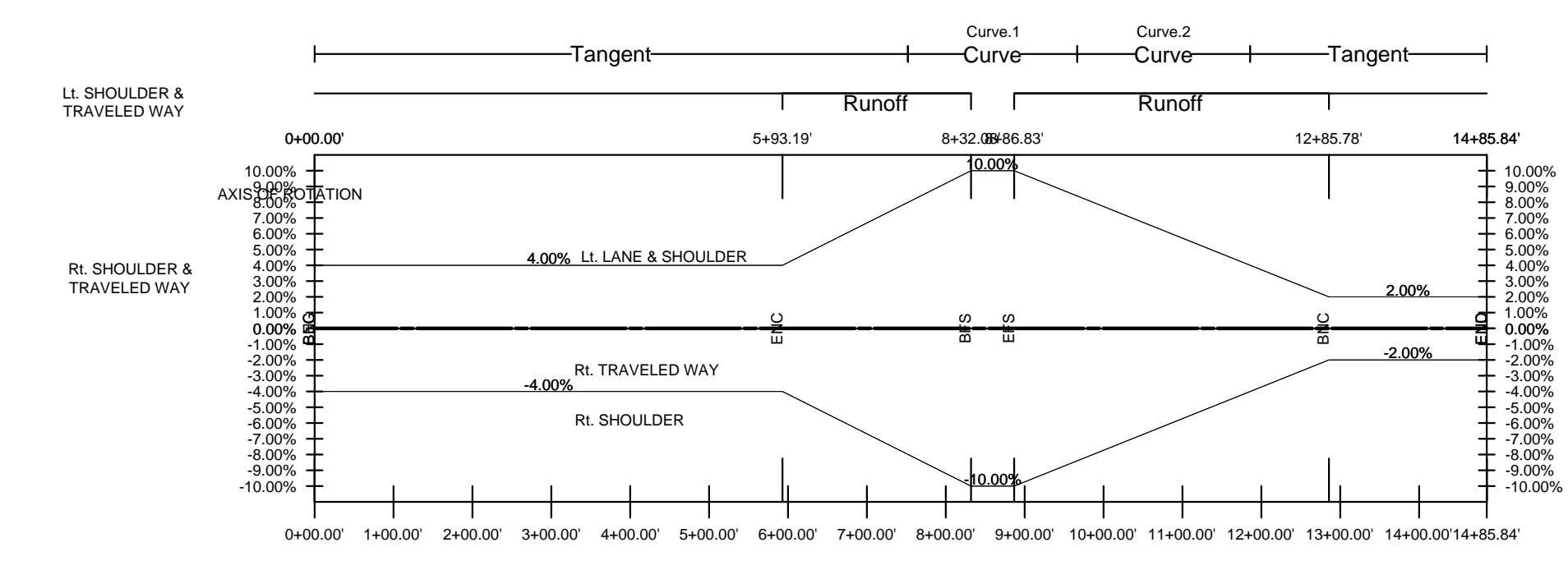
SUPERELEVATION - EASTBOUND OFF-RAMP



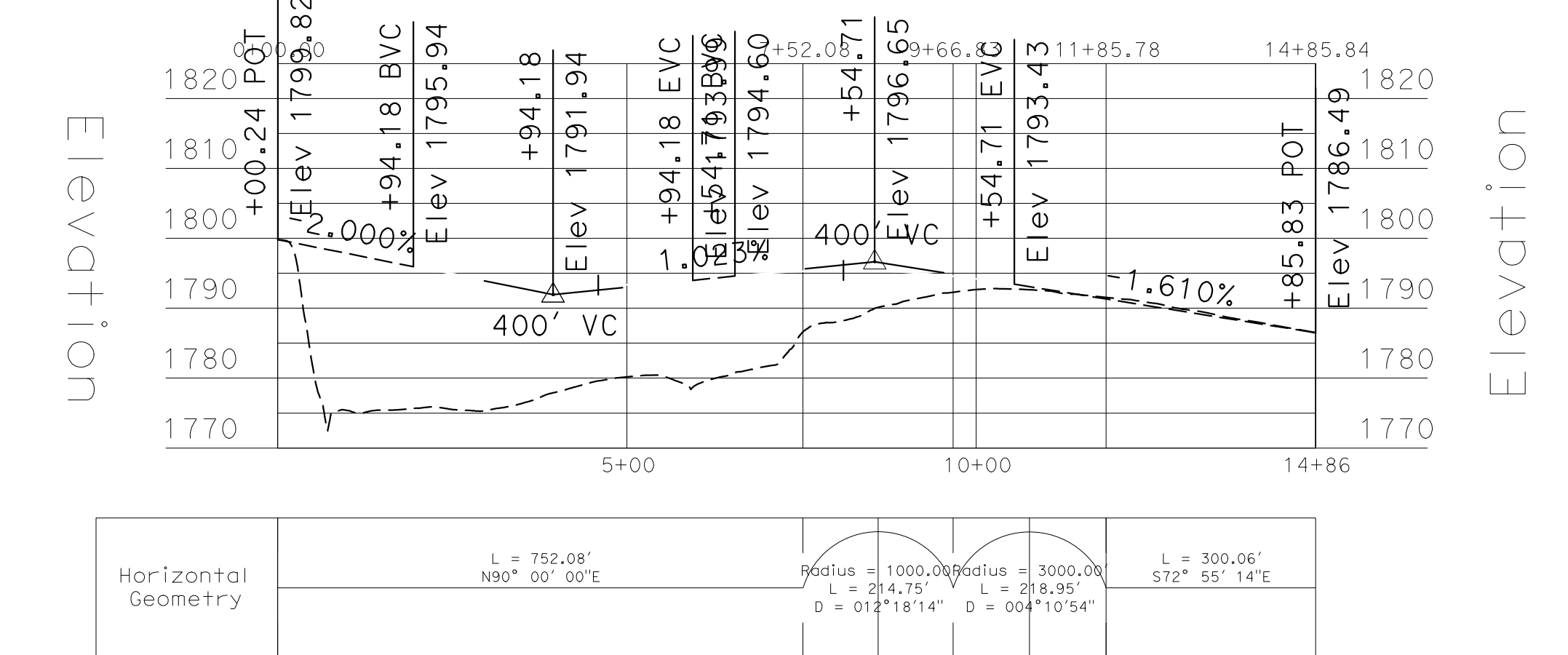
PROFILE - EASTBOUND OFF-RAMP



SUPERELEVATION - EASTBOUND ON-RAMP



PROFILE - EASTBOUND ON-RAMP



SCALE
Horz. 1"=200'
Vert. 1"=20'

**ALTERNATIVE 4
HYBRID DIAMOND**

PROJECT ENGINEER REGISTERED CIVIL ENGINEER DATE
 REGISTERED PROFESSIONAL ENGINEER
 MUXIONG JIA
 No. 61667
 CIVIL
 STATE OF CALIFORNIA

CONTRACT No. 00-000004
 PROJECT ID 000000000